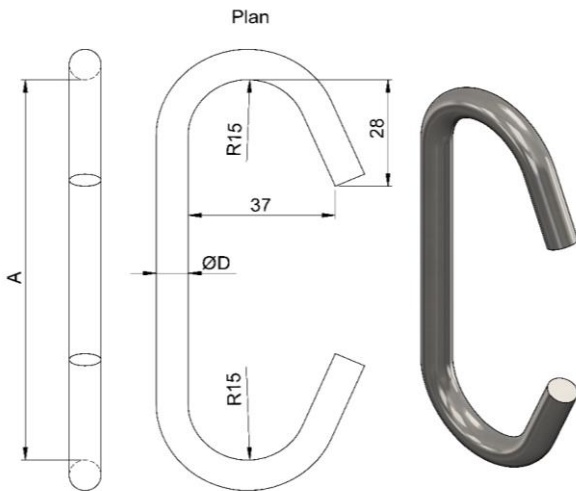
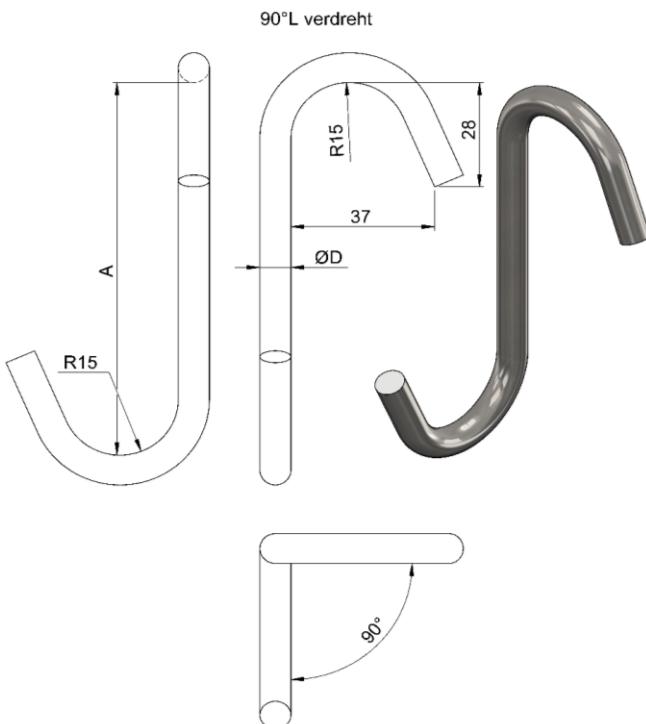


Lackierhaken Standard Version 5.15 / Plan
Lackierhaken Standard Version 5.15 / 90°L verdreht
Material: Ø 10.0 mm blanker Eisendraht



| ØD = 10.0 mm | | | |
|--------------|---------------|----------------|-----------------|
| A mm | Artikelnummer | Stück / Karton | Stück / Palette |
| 100 | 5.15/100100 | 150 | 4800 |
| 150 | 5.15/100150 | 100 | 3200 |
| 200 | 5.15/100200 | 100 | 3200 |
| 250 | 5.15/100250 | 100 | 3200 |
| 300 | 5.15/100300 | 100 | 3200 |
| 350 | 5.15/100350 | 100 | 2400 |
| 400 | 5.15/100400 | 75 | 1800 |
| 450 | 5.15/100450 | 75 | 1800 |
| 500 | 5.15/100500 | 75 | 1800 |
| 550 | 5.15/100550 | 75 | 1200 |
| 600 | 5.15/100600 | 50 | 800 |
| 700 | 5.15/100700 | 50 | 800 |
| 800 | 5.15/100800 | 50 | 800 |
| 900 | 5.15/100900 | 40 | 480 |
| 1000 | 5.15/1001000 | 40 | 480 |



| ØD = 10.0 mm | | | |
|--------------|------------------|----------------|-----------------|
| A mm | Artikelnummer | Stück / Karton | Stück / Palette |
| 100 | 5.15/100100/90L | 150 | 4800 |
| 150 | 5.15/100150/90L | 100 | 3200 |
| 200 | 5.15/100200/90L | 100 | 3200 |
| 250 | 5.15/100250/90L | 100 | 3200 |
| 300 | 5.15/100300/90L | 100 | 3200 |
| 350 | 5.15/100350/90L | 100 | 2400 |
| 400 | 5.15/100400/90L | 75 | 1800 |
| 450 | 5.15/100450/90L | 75 | 1800 |
| 500 | 5.15/100500/90L | 75 | 1800 |
| 550 | 5.15/100550/90L | 75 | 1200 |
| 600 | 5.15/100600/90L | 50 | 800 |
| 700 | 5.15/100700/90L | 50 | 800 |
| 800 | 5.15/100800/90L | 50 | 800 |
| 900 | 5.15/100900/90L | 40 | 480 |
| 1000 | 5.15/1001000/90L | 40 | 480 |

Andere Längen und Formen auf Anfrage.